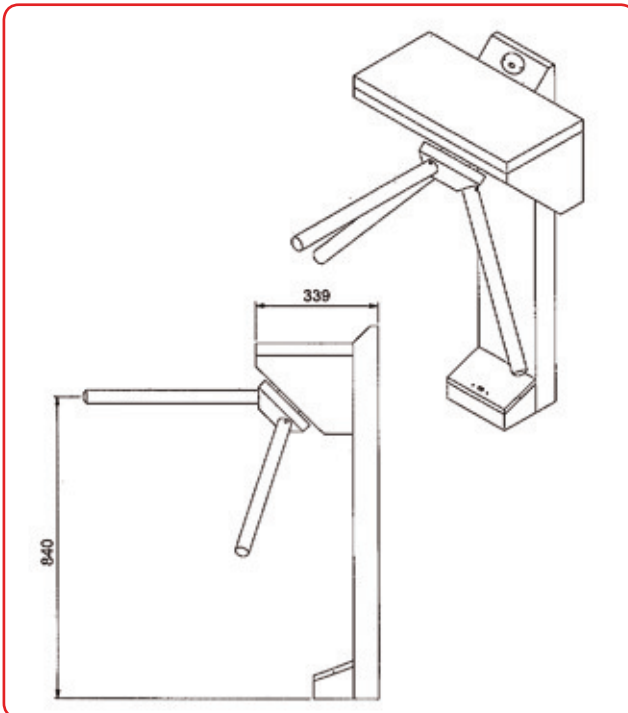


## Triflo Sentry



CUSTOMER GUIDANCE



This turnstile is manufactured in high volumes, so is very competitively priced.

Standard and optional features;

### Design:

- Half height turnstile for internal use
- Wall or floor mounted models available
- Fully stainless steel model as standard, however can be powder coated to RAL colour of choice
- 304 grade stainless steel body
- 316 grade stainless steel arms
- Can be easily integrated with railings/barriers providing the same look and feel throughout the desired area

### Operation:

- Manually operated arms
- Available as mechanical only unit or controlled in either or both directions
- Can be controlled via any access control unit which gives out a volt free contact (supplied separately)
- Free rotation on power failure or activation of fire alarm
- Can be alarmed with under or over sensors
- Unlocking mechanism adjustable from 2-32 seconds

### Order Information

All controlled units are supplied complete with Push Button (Foot Pedal operation is an available option). Other control methods by quotation only. If controlled unit required, please specify controlled direction, for example controlled entry / free exit. Please specify at time of order if left hand or right hand unit required.

