

Triflo Console



This turnstile offers the benefit of being more affordable than the prestigious Premier model due to its simpler lines and construction yet still projects the image of an elegant, robust and uncompromising unit.

This turnstile can also be fitted with a stylish drop arm as it offers completely free and unhindered exit in an emergency situation, as the battery power pack (which can be either built into the turnstile unit or situated remotely) unlocks the arm from the horizontal position and drops the arm down to a vertical position. The added benefit to this option is the automatic reset once the arm has been dropped, as the mechanism rotates on itself and then drops the arm back into position.

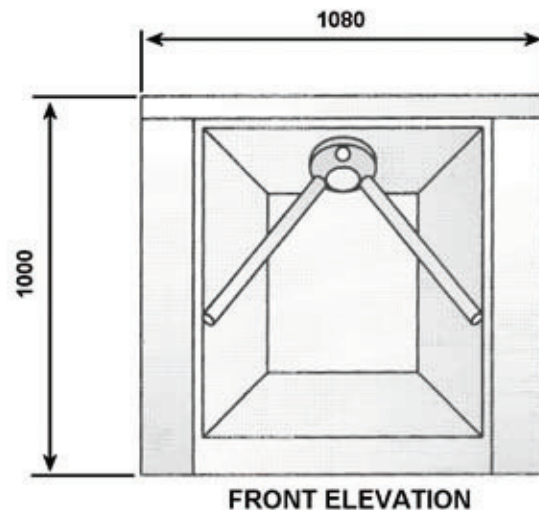
Standard and optional features;

Design:

- Half height turnstile for internal use
- 304 grade stainless steel body or mild steel body which can be powder coated to RAL colour of choice
- 304 grade stainless steel lid
- 316 grade stainless steel arms
- Can be easily integrated with railings/barriers providing the same look and feel throughout the desired area

Operation:

- Manually operated arms or drop arm functionality
- Available as mechanical only unit or controlled in either or both directions
- Can be controlled via any access control unit which gives out a volt free contact (supplied separately)
- Free rotation on power failure or activation of fire alarm
- Can be alarmed with under or over sensors
- Unlocking mechanism adjustable from 2-32 seconds
- Optional Drop-Arm mechanism is available





Order Information

All controlled units are supplied complete with Push Button (Foot Pedal operation is an available option). Other control methods by quotation only.

If controlled unit required, please specify controlled direction, for example controlled entry / free exit.

Please specify at time of order if left hand or right hand unit.

Drop Arm:

